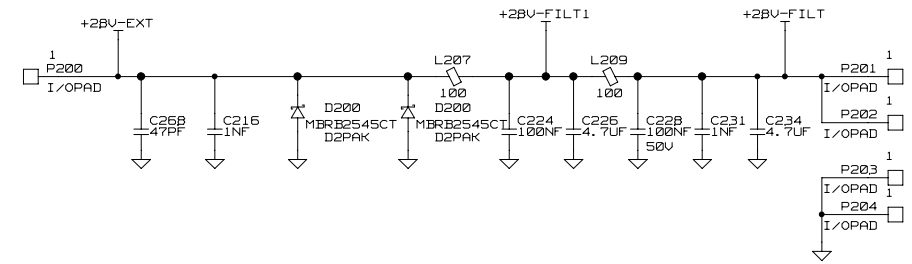
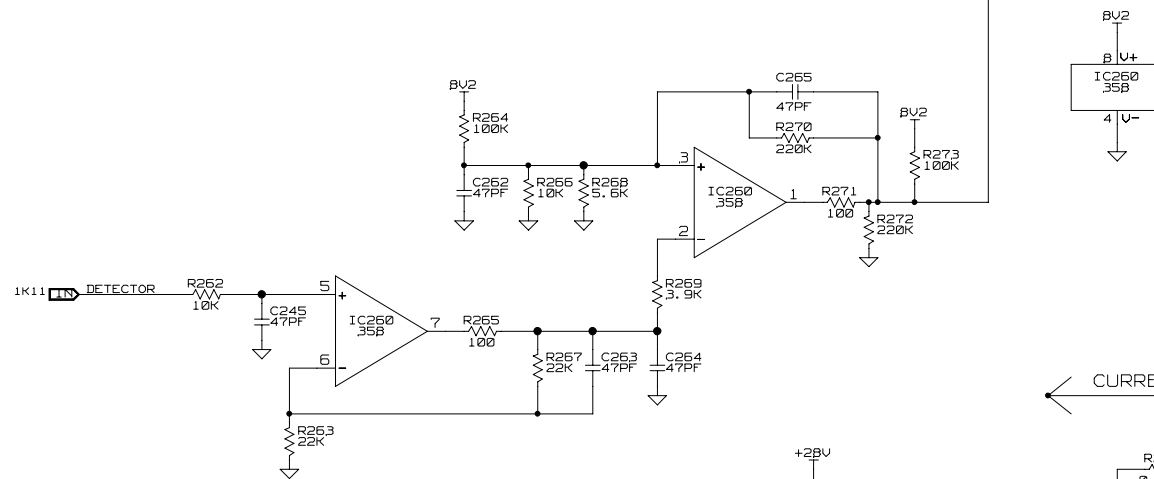
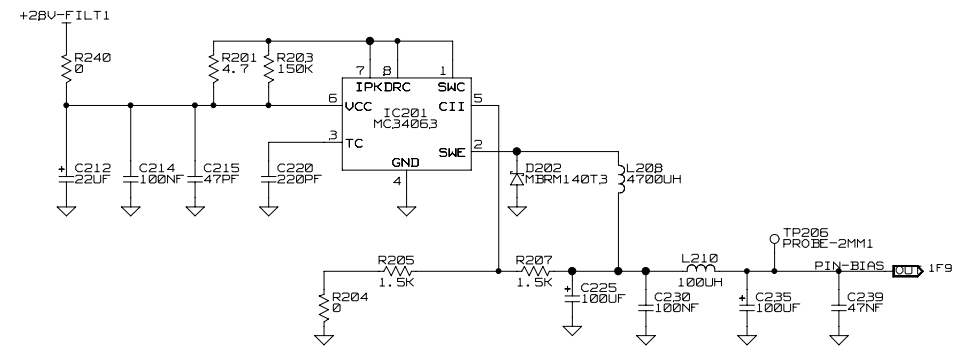
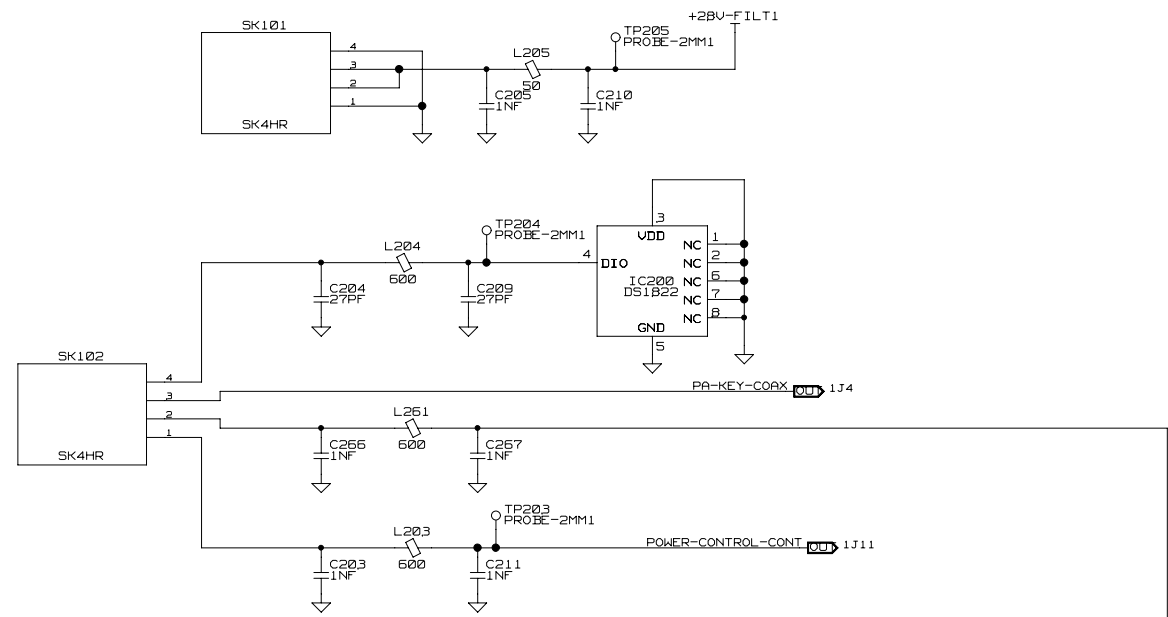
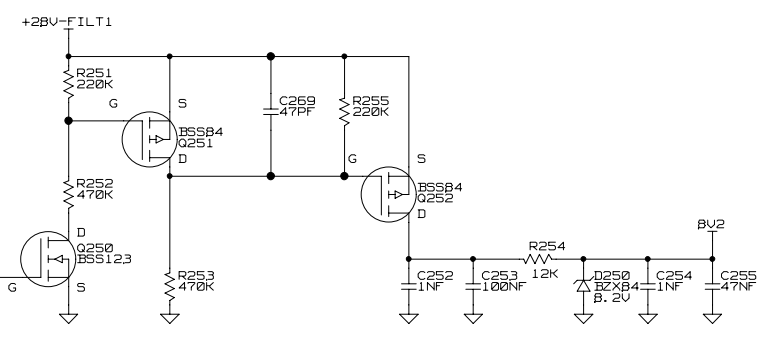
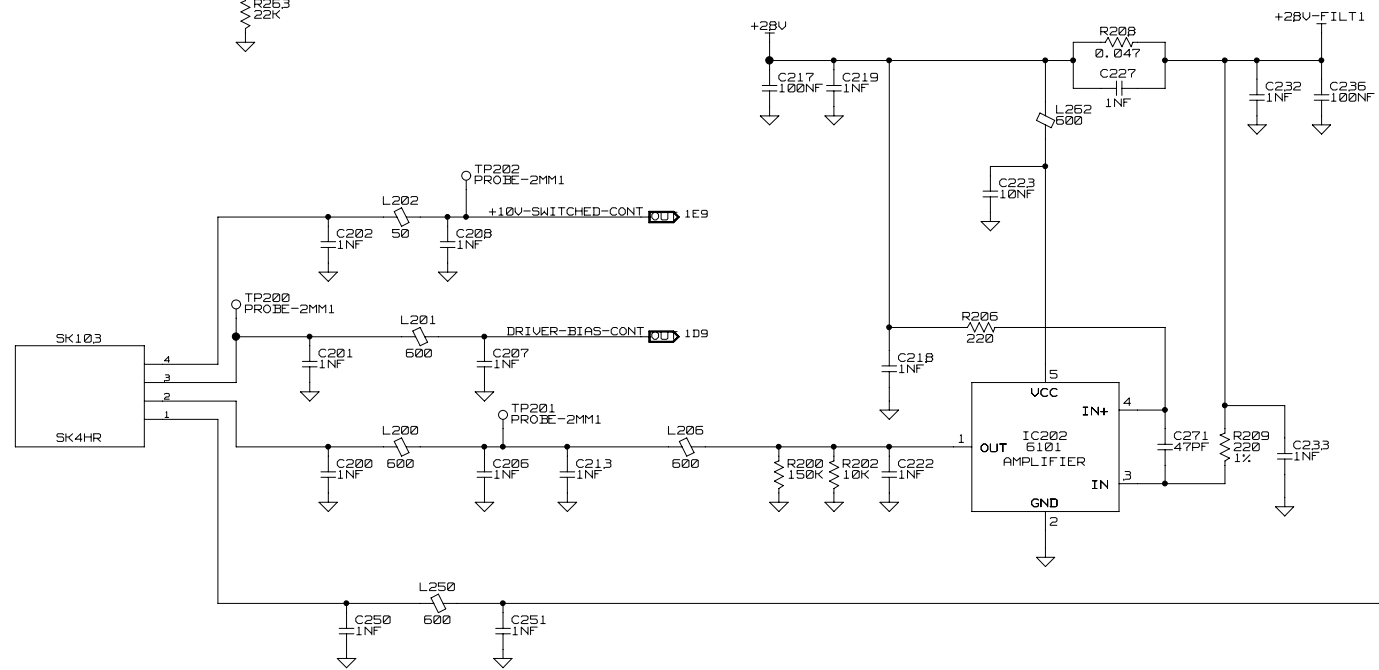


02A	OBSELETE IC202 REPLACED WITH 002-16101-00	SC	QT	DAVE E	QT	31JAN07
01A	DCO 002B3-004 IPN UPDATE TO 220	CJK	QT	CJK	QT	05/08/04
REV/ISS	AMENDMENTS	DRAWN	CHKD	D.O.	APVD	DATE

© TAIT ELECTRONICS | A1
 T88100
 PA 6 WATT 800MHZ/900MHZ
 IPN: 220-02059-02 | ISSUE: A | VARIANT NUMBER: ?
 FILE DATE: Thu Feb 01 16:03:29 2007
 ENGINEER: QT | FILE NAME: 220_02059 | SHEET NUMBER: 1 OF 2



← CURRENT DIRECTION



© TAIT ELECTRONICS		A1
TBB100		
PA 6 WATT 800MHZ/900MHZ		
IPN: 220-02059-02	ISSUE: A	VARIANT NUMBER: ?
FILE DATE: Mon Feb 12 08:21:11 2007		
ENGINEER: OT	FILE NAME: 220_02059	SHEET NUMBER: 2 OF 2

REV/ISS	AMENDMENTS	DRAWN	CHKD	D. O.	APVD	DATE
1						